

ELKAY® SPECIFICATIONS

Hand Wash-Up Sink with Pedestal and Sensor Faucet – AC or Battery Powered Models CHSP1716SAC and CHSP1716SB Series

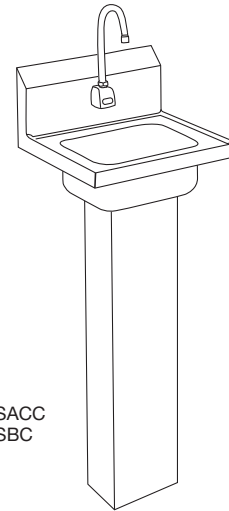
GENERAL

CHSP1716 Type 304 (18-8) stainless steel hand wash-up sink. Basin has 1-3/4" (45mm) radius coved corners. Full length 7" (178mm) high backsplash. Exposed surfaces have a brushed finish. Furnished with stainless steel pedestal and wall hanger. Carries NSF International Certification.

(CHECK MODEL SPECIFIED)

MODEL	FAUCET	DRAIN	TRAP	MIXING VALVE
□ CHSP1716SACC	LK722AC	LK8	LK500	NONE
□ CHSP1716SACMC	LK722AC	LK8	LK500	LK724
□ CHSP1716SACTMC	LK722AC	LK8	LK500	LK723
□ CHSP1716SBC	LK722B	LK8	LK500	NONE
□ CHSP1716SBMC	LK722B	LK8	LK500	LK724
□ CHSP1716SBTMC	LK722B	LK8	LK500	LK723

LK722AC Sensor-operated, non-mixing (tempered water), backsplash-mounted gooseneck faucet with adjustable sensor eyes. A continuous beam is emitted from sensor. The sensor faucet is activated by user placing hands under the spout. Tempered water will flow as long as hands remain within sensor range. When hands are removed, the water stops automatically based on shut off delay settings. The sensor then resets and is ready for the next user. AC powered, chrome plated - solid brass body construction and 12-3/4" (324mm) high (bottom of base to top of spout) 8-3/4" (222mm) from aerator to base, 5-3/8" (137mm) reach C.P. spout with 2.0 gpm laminar flow control on spout end. Includes vandal-resistant, water-resistant sensor control module with armored vandal-resistant control and power cables. 12V DC plug-in voltage adapter, slow-closing piston operated solenoid valve, in-line filter with clean out trap, and 3/8" (10mm) copper fittings for supply tube furnished by contractor. Control circuit is solid state, has



Model CHSP1716SACC
Model CHSP1716SBC
(Pedestal Mount)

adjustable sensor range (6" [152mm] preset to 30" [762mm]), shut off delay preset at 1 second and field adjustable to 2, 4 or 8 seconds, and automatic time-out feature (to prevent sink overflow) is preset at 0 seconds and is field adjustable to 15, 30 or 60 seconds.

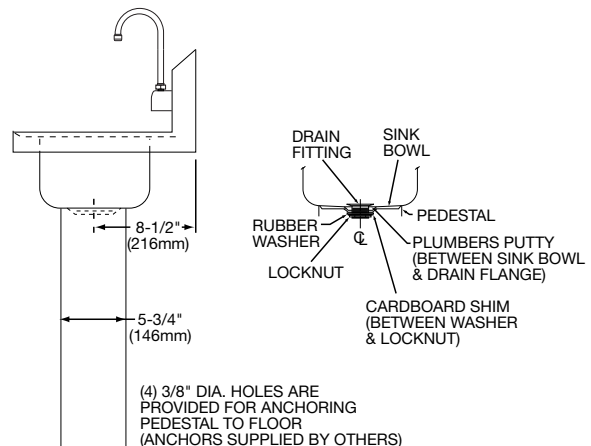
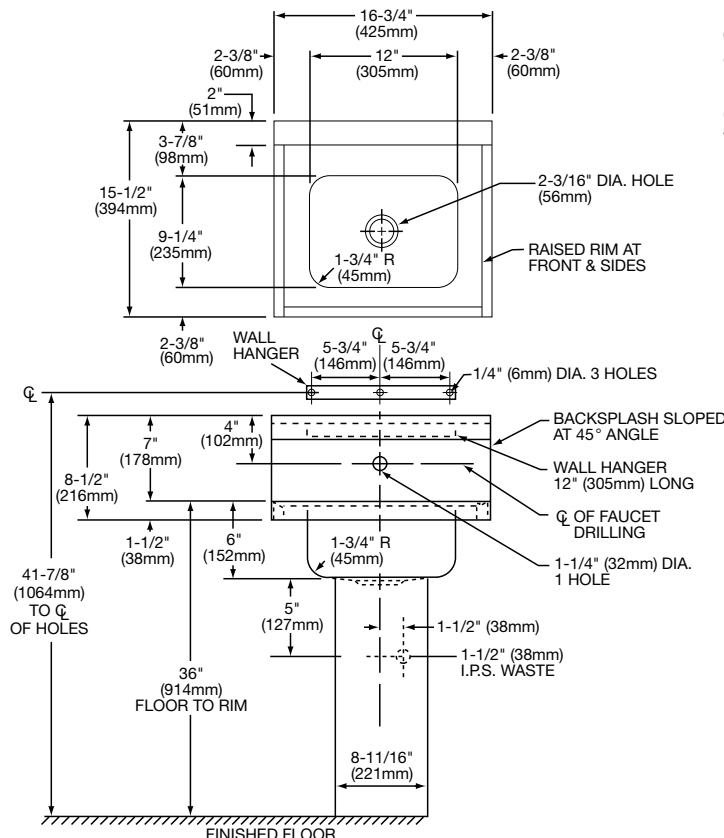
LK722B Same as LK722AC except battery powered and has a battery holder with (4) AA batteries.

LK8 Chrome plated grid strainer with 1-1/2" (38mm) O.D. tailpiece.

LK500 Satin chrome cast brass "P" trap with cleanout, chrome plated 1-1/2" (38mm) O.D. tubing waste arm to wall, and wall flange.

LK723 Anti-scald thermostatic mixing valve with nickel-plated brass body 1/2" (13mm) SWT inlets and outlet connections, check valves on inlets and a mixed temperature range of 80°- 120°F. Certified under ASSE1016.

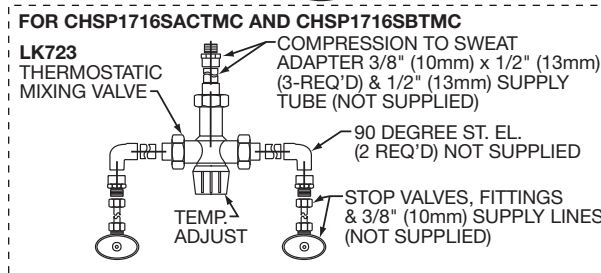
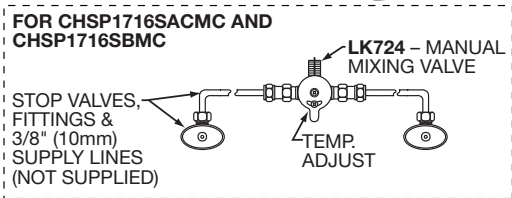
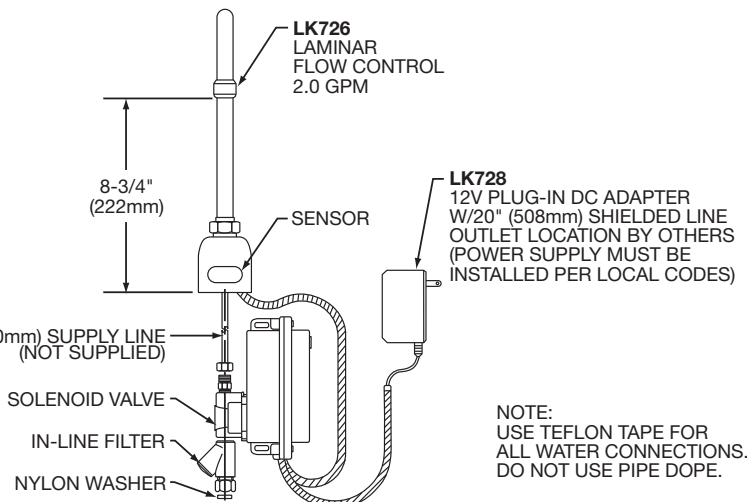
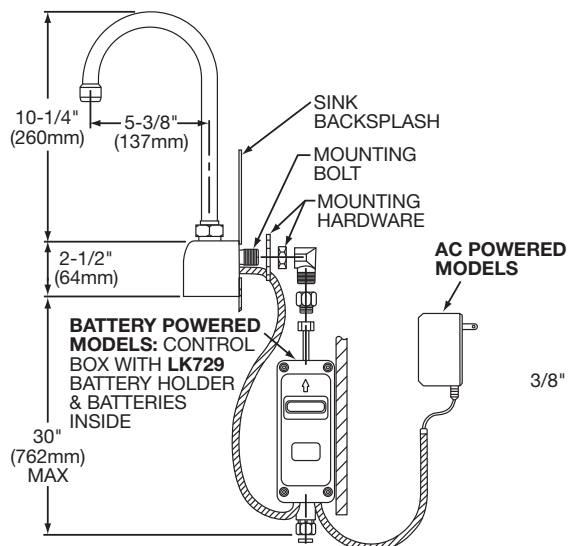
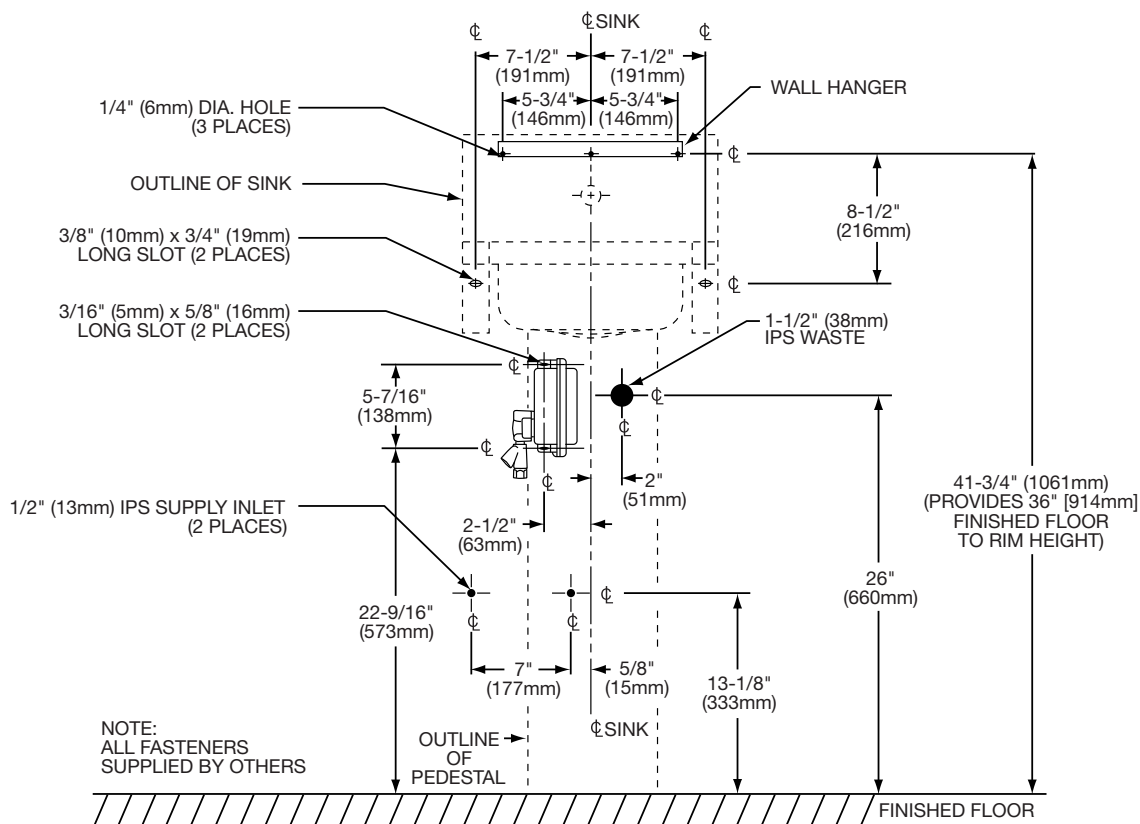
LK724 Mechanical mixing valve with C.P. brass body, 3/8" (10mm) compression inlets and outlet connections, and check valves on inlets.



In keeping with our policy of continuing product improvement, Elkay reserves the right to change product specifications without notice.

Hand Wash-Up Sink with Pedestal and Sensor Faucet – AC or Battery Powered
Models CHSP1716SAC and CHSP1716SB Series

ELKAY®
ROUGH-IN DIMENSIONS



IMPORTANT END USER INFORMATION

Care and Cleaning Instructions

- 1) Never use any cleaner or cleanser based cleaning material on this product.
- 2) Keep the faucet dry! While drying your hands, dry faucet as well. The water in certain parts of the world can be very caustic. Any standing water around the faucet could damage the intrinsic coating, remove it as soon as possible.

Discover why the professional's choice for sinks and faucets is also the right choice to take care of all your home's stainless surfaces and accessories. Visit www.byelkay.com for more information or for a complete list of all domestic showrooms in your area visit www.elkay.com, where to buy.

ELKAY®
commercial
products

ELKAY LIMITED FIVE YEAR FAUCET WARRANTY ON COMMERCIAL FAUCETS

Limited Five Year Functional and Finish Warranty
Elkay warrants to the original consumer purchaser that the Elkay faucet will be free from defects and material and workmanship for Five Years from the original installation date. Elkay will, at its option, supply replacement parts (or if no longer available a comparable product) if the faucet fails due to a defect in material or workmanship. This warranty does not apply in the event of product surface damage caused by abuse, misuse or improper care and maintenance. This warranty excludes damage caused by harsh or abrasive cleaners and/or materials. This warranty includes all industrial, commercial and business use. Products replacement does not include transportation cost or labor installation cost. Elkay reserves the right to examine product in question and its installation prior to replacement.

OTHER WARRANTY CONDITIONS ON FAUCETS

Our warranty does not cover product failure or damage caused by abusive treatment, misuse, environmental factors, improper care and cleaning, or damage due to handling or faulty installations. This warranty is extended only to the original consumer purchaser of the product. This warranty does not cover shipping cost, labor cost, or any other charges for such items as installations or replacement of the sink, diagnosis or replacement of any faucet or component part, or any other expense or loss.

ALL INCIDENTAL OR CONSEQUENTIAL DAMAGES ARE SPECIFICALLY EXCLUDED. NO ADDITIONAL WARRANTIES, EXPRESS OR IMPLIED ARE GIVEN. ANY IMPLIED WARRANTY, INCLUDING ONE OF MERCHANTABILITY OR FITNESS FOR A PARTICULAR PURPOSE, IS LIMITED TO THE DURATION OF THIS WRITTEN WARRANTY.

Some states do not allow the exclusion or limitation of incidental or consequential damages or limitations on how long an implied warranty lasts, so the above limitations or exclusions may not apply to you.

This warranty gives you specific legal rights, and you may also have other rights which vary from state to state.

TO OBTAIN SERVICE UNDER WARRANTY

1. Write to:
Elkay
Attention: Consumer Services
2222 Camden Court
Oak Brook, IL 60523
2. Include a letter containing the following information:
 - a. Date of purchase and installation
 - b. Proof of Purchase (copy of original dated invoice)
 - c. Description of nature of defect
 - d. Model number or description of model and/or component part if possible.

Product Specifications

Power: (a) DC - Alkaline AA Batteries (4); (b) AC/DC alternatively
Water Supply pipe size: NPSM 1/2-14
Working Pressure: 2.8 - 213 psi
Ambient Temp. Range: 36°F - 194°F
Sensing Distance: 7/8" - 6-3/4"
Sensing Range Setup: Digital
Response Time: Default 0.3 sec
Off Delay Time: Default 1 sec
Fresh Battery Life Cycle 400,000
Weak Power indicator: Steady Red LED

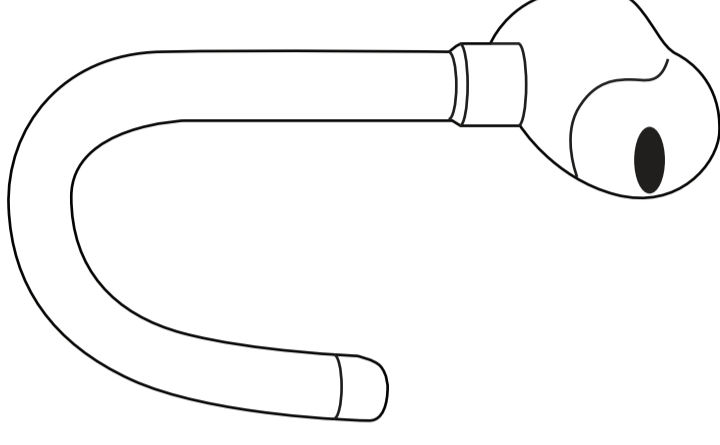
Sensor Range Setup (Default range is preset at 5-1/2")

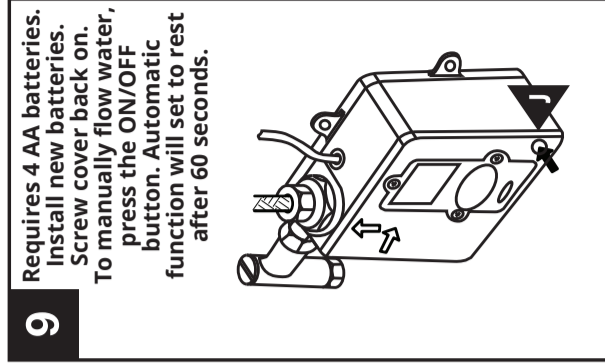
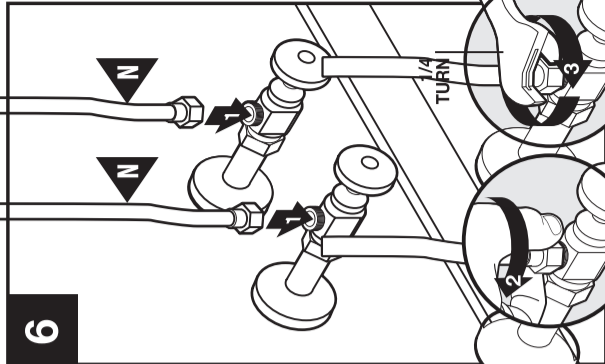
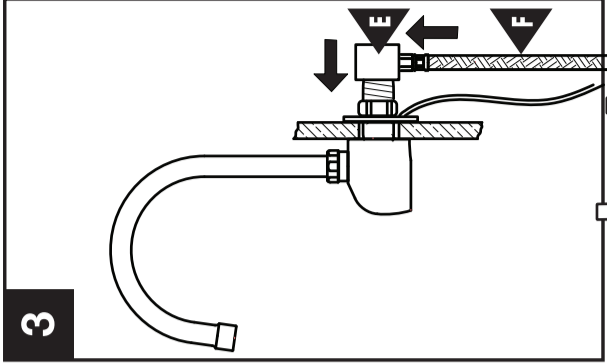
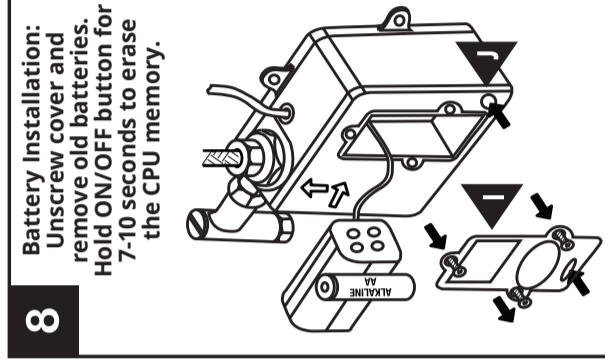
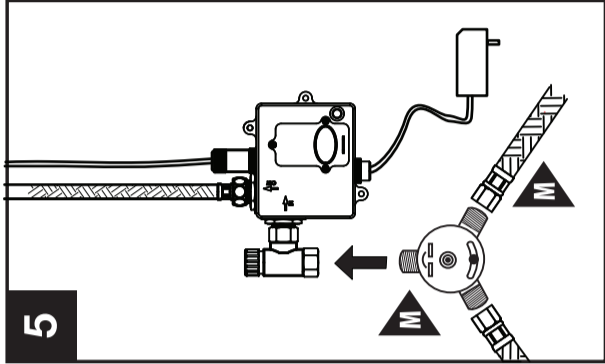
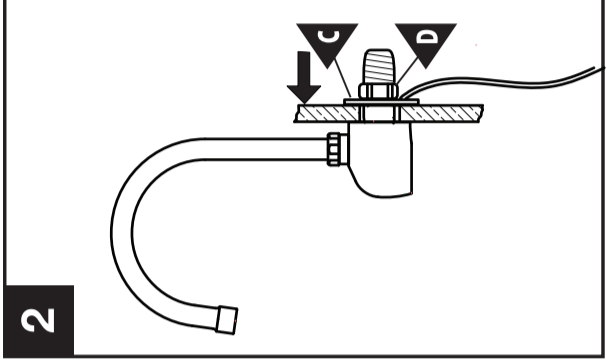
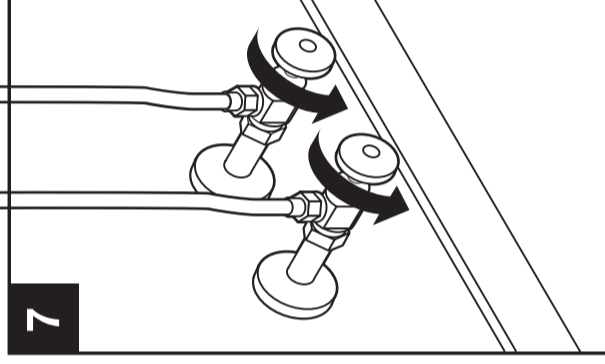
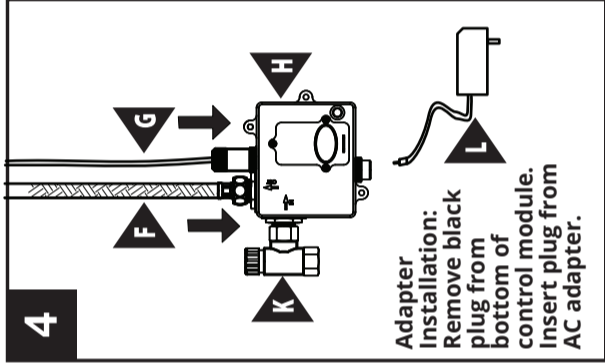
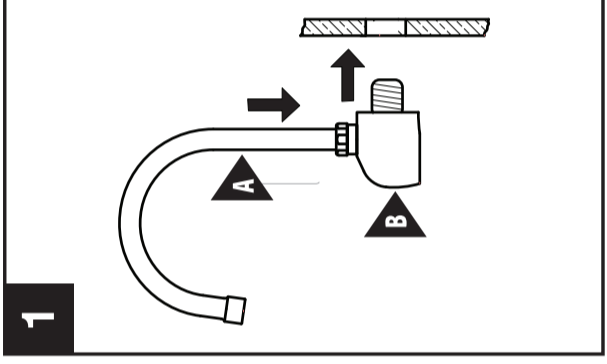
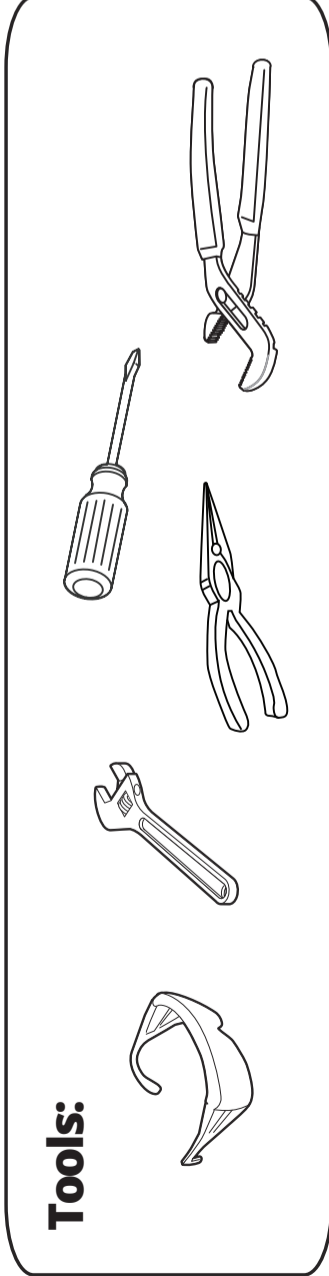
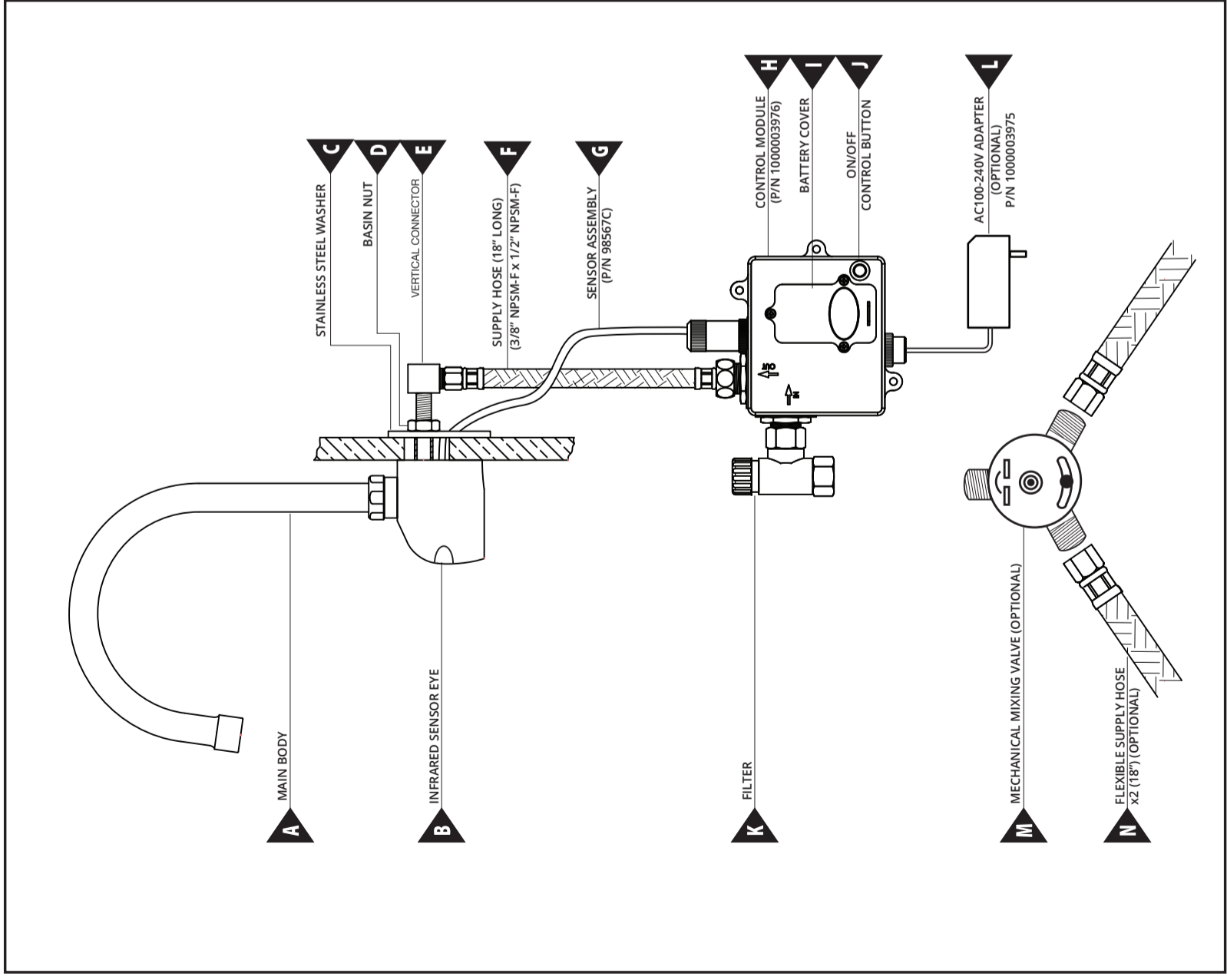
NOTE - Do not attempt to open control module to adjust sensing range

1. Press and hold On/Off button for 5-7 seconds. Red LED on.
2. Release button. Red LED off.
3. Place hand at desired sensor distance. Sensor will blink as it senses the hand distance before turning solid momentarily to save the new sensor distance.
4. Sensor range is now set.

Installation Instructions for:

Elkay Electronic Sensor Activated Deck Mounted Lavatory Faucet LKB722C (Battery / AC powered)





Attention Installer:

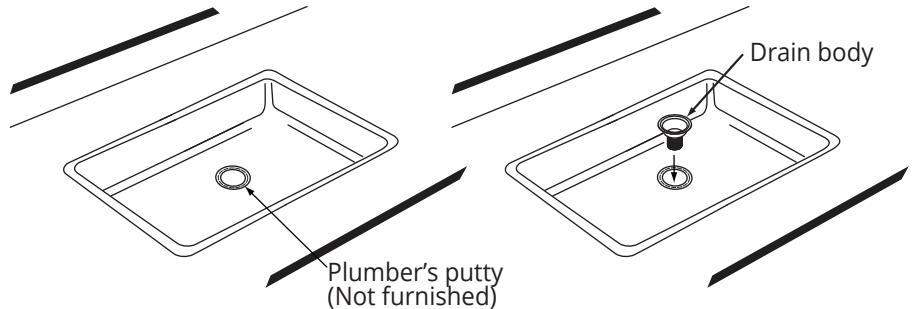
- Elkay is not responsible for improper drain installations.
- Elkay is not responsible for the sink if damaged during installation.
- Follow all local plumbing and building codes.
- Inspect drain for damage prior to beginning installation.

Required Tools (not included)



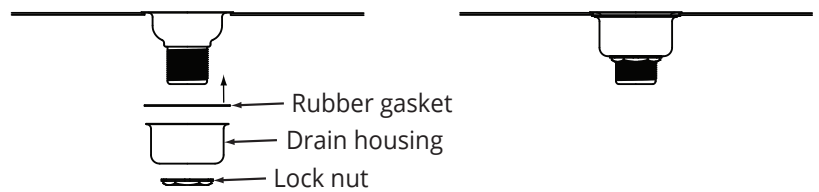
Installation

- 1** Apply plumber's putty or sealant to the top of the sink drain flange area. Place drain body in the the drain opening of the sink.



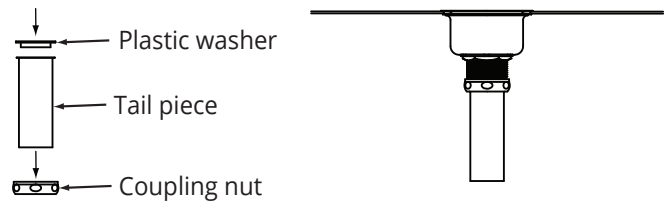
- 2** From the underside of the sink, slide the rubber gasket over the bottom of the drain body till it's flush with the bottom of the sink.

Slide the drain housing over the bottom of the drain body till it's flush with the rubber gasket and the bottom of the sink. Thread on the lock nut until tight with the housing.



- 3** Place the plastic washer inside of the tail piece. Slide the coupling nut over the tail piece.

Thread on the coupling nut onto the drain housing until tight.



- 4** Wipe away any excess plumber's putty from the sink with a rag.

Place strainer basket into the drain body.

*Note: Drain bodies and strainer baskets may vary depending on models. Some models may come with a strainer grid, in place of a strainer basket, that will need to be screwed into the drain body.

**Model shown is a LK99.

